

1

2

3

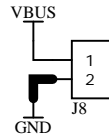
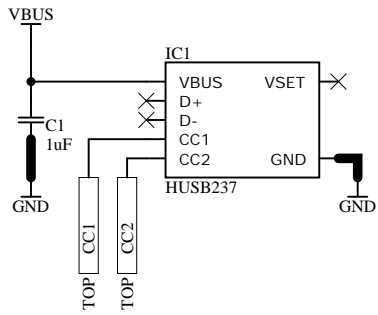
4

5

6

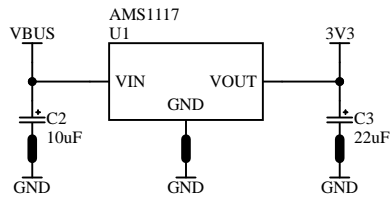
A

A



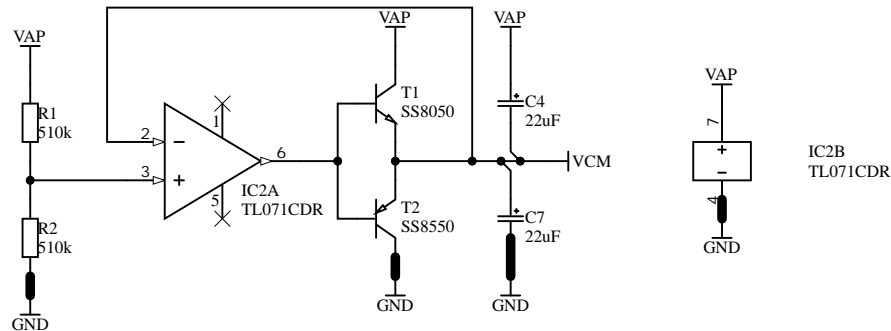
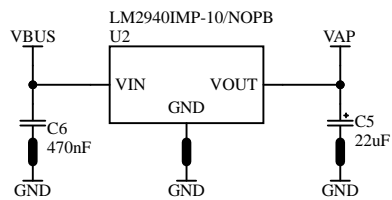
B

B




C

C



D

D

SCHEMATIC TITLE		PROJECT TITLE		FILE NAME		TYPE:	PROD.
Power Management		Audio synth		PM.SchDoc		CREATED:	10.12.2025
GIT HASH (SHORT)		SHEET NUMBER				EDITED:	02.01.2026
7f3f4408		Sheet 2 of 9				REV.:	0.3
AUTHOR		CHECKED BY				CHECKED:	30.12.2025
Erik Tóth		Erik Tóth		DOC-NR:		WATO-2	

1

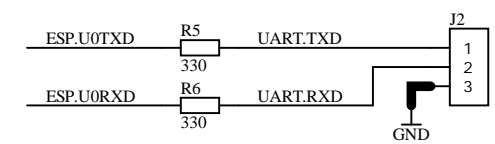
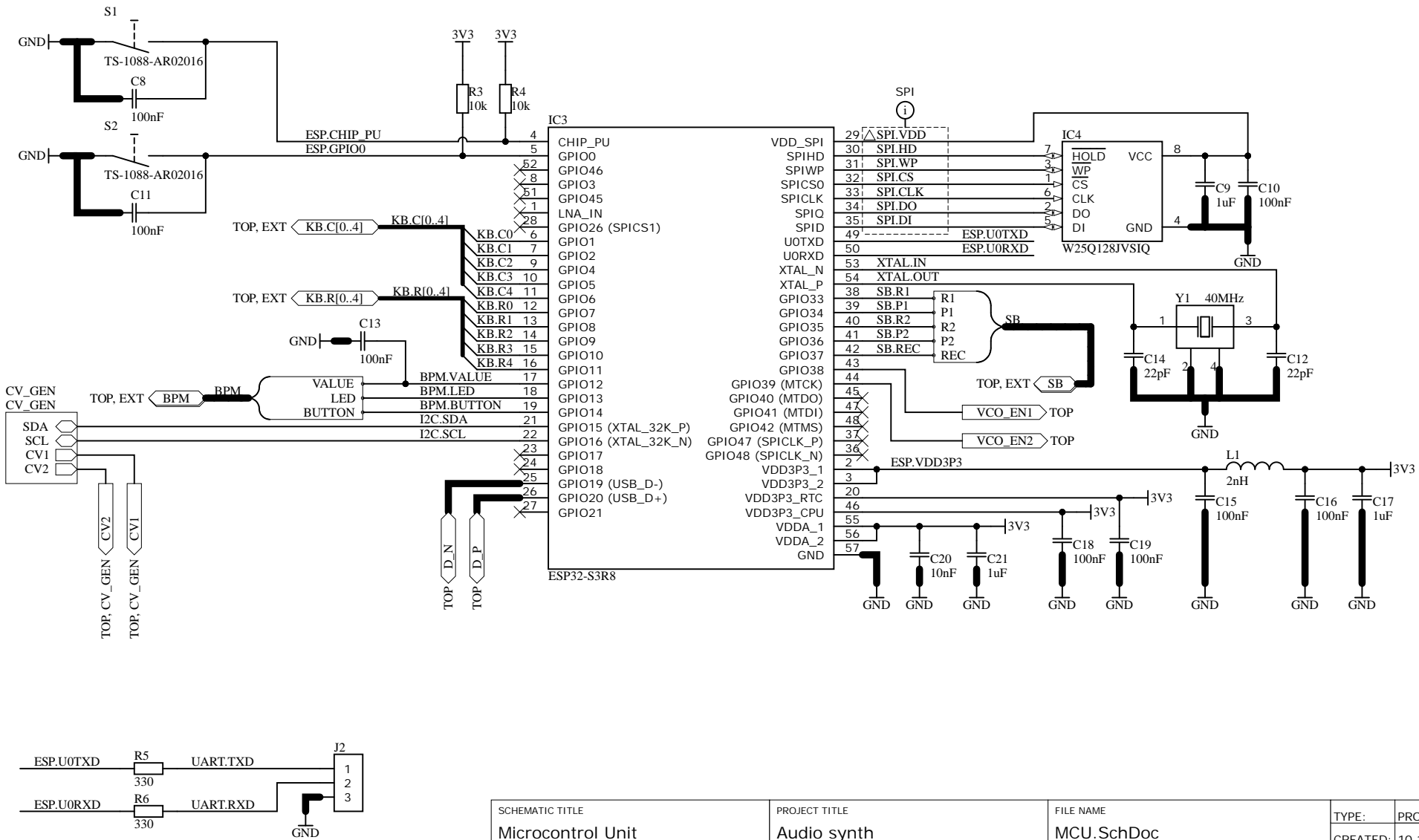
2


3

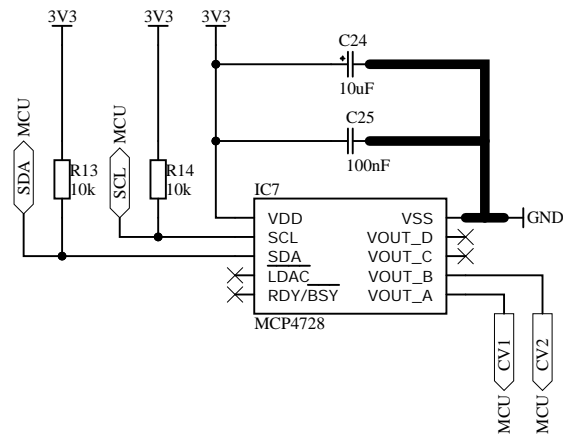
4


5

6



SCHEMATIC TITLE	PROJECT TITLE	FILE NAME	TYPE:	PROD.
Microcontrol Unit	Audio synth	MCU.SchDoc	CREATED:	10.12.2025
GIT HASH (SHORT)	SHEET NUMBER	 CCA - COMPETENCE CENTRE HTL Anichstraße	EDITED:	11.03.2026
f81b36c0 [Locally Modified]	Sheet 3 of 9		REV.:	0.6
AUTHOR	CHECKED BY		CHECKED:	30.12.2025
Erik Tóth	Erik Tóth		DOC-NR:	WATO-3



SCHEMATIC TITLE CV Generation	PROJECT TITLE Audio synth	FILE NAME CV_GEN.SchDoc	TYPE: PROD.
GIT HASH (SHORT) f81b36c0	SHEET NUMBER Sheet 4 of 9	 CCA - COMPETENCE CENTRE HTL Anichstraße	CREATED: 11.12.2025
AUTHOR Erik Tóth	CHECKED BY Erik Tóth		EDITED: 01.01.2026
			REV.: 0.1
			CHECKED: 30.12.2025
			DOC-NR: WATO-4

1

2

3

4

5

6

A

A

B

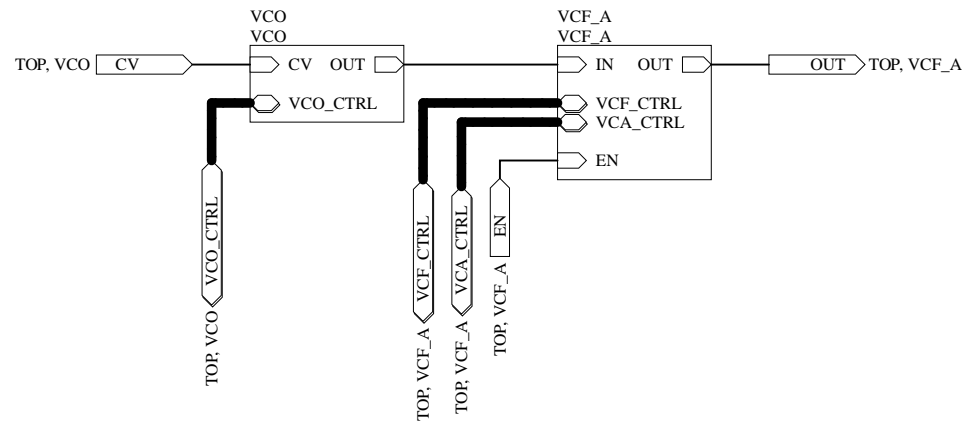
B


C

C

D

D



SCHEMATIC TITLE Sound chain	PROJECT TITLE Audio synth	FILE NAME SC.SchDoc	TYPE: PROD.
GIT HASH (SHORT) f81b36c0	SHEET NUMBER Sheet 5 of 9	 CCA - COMPETENCE CENTRE HTL Anichstraße	CREATED: 10.12.2025
AUTHOR Erik Tóth	CHECKED BY Wendelin Waldhart		EDITED: 31.12.2025
			REV.: 0.9
			CHECKED: 30.12.2025
			DOC-NR: WATO-5

1

2

3

4

5

6

1

2

3

4

5

6

A

A

B

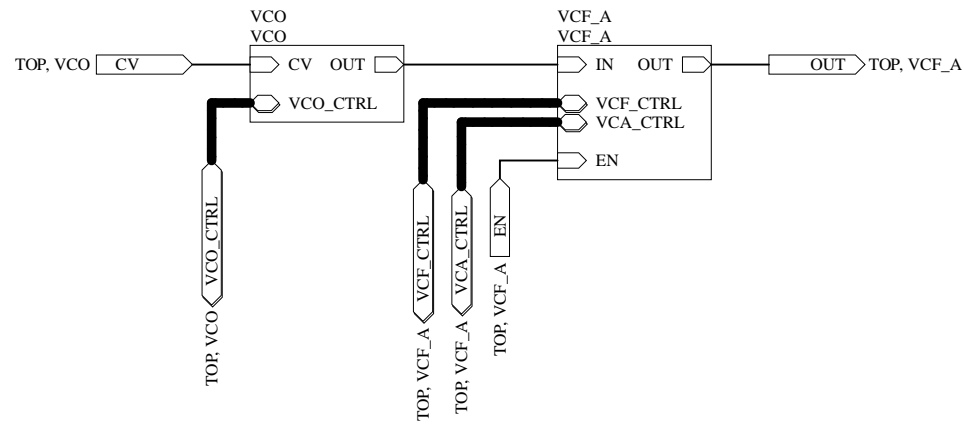
B


C

C

D

D



SCHEMATIC TITLE Sound chain	PROJECT TITLE Audio synth	FILE NAME SC.SchDoc	TYPE: PROD.
GIT HASH (SHORT) f81b36c0	SHEET NUMBER Sheet 5 of 9	 CCA - COMPETENCE CENTRE HTL Anichstraße	CREATED: 10.12.2025
AUTHOR Erik Tóth	CHECKED BY Wendelin Waldhart		EDITED: 31.12.2025
			REV.: 0.9
			CHECKED: 30.12.2025
			DOC-NR: WATO-5

1

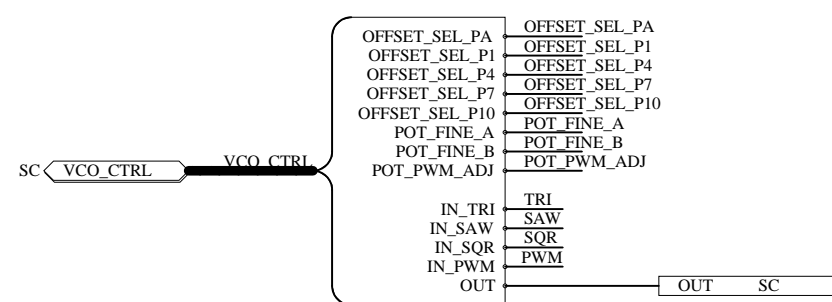
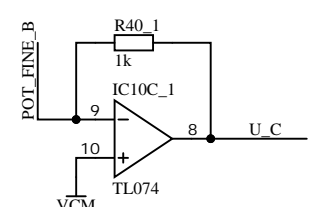
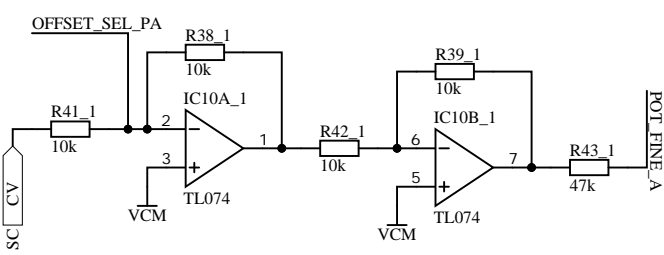
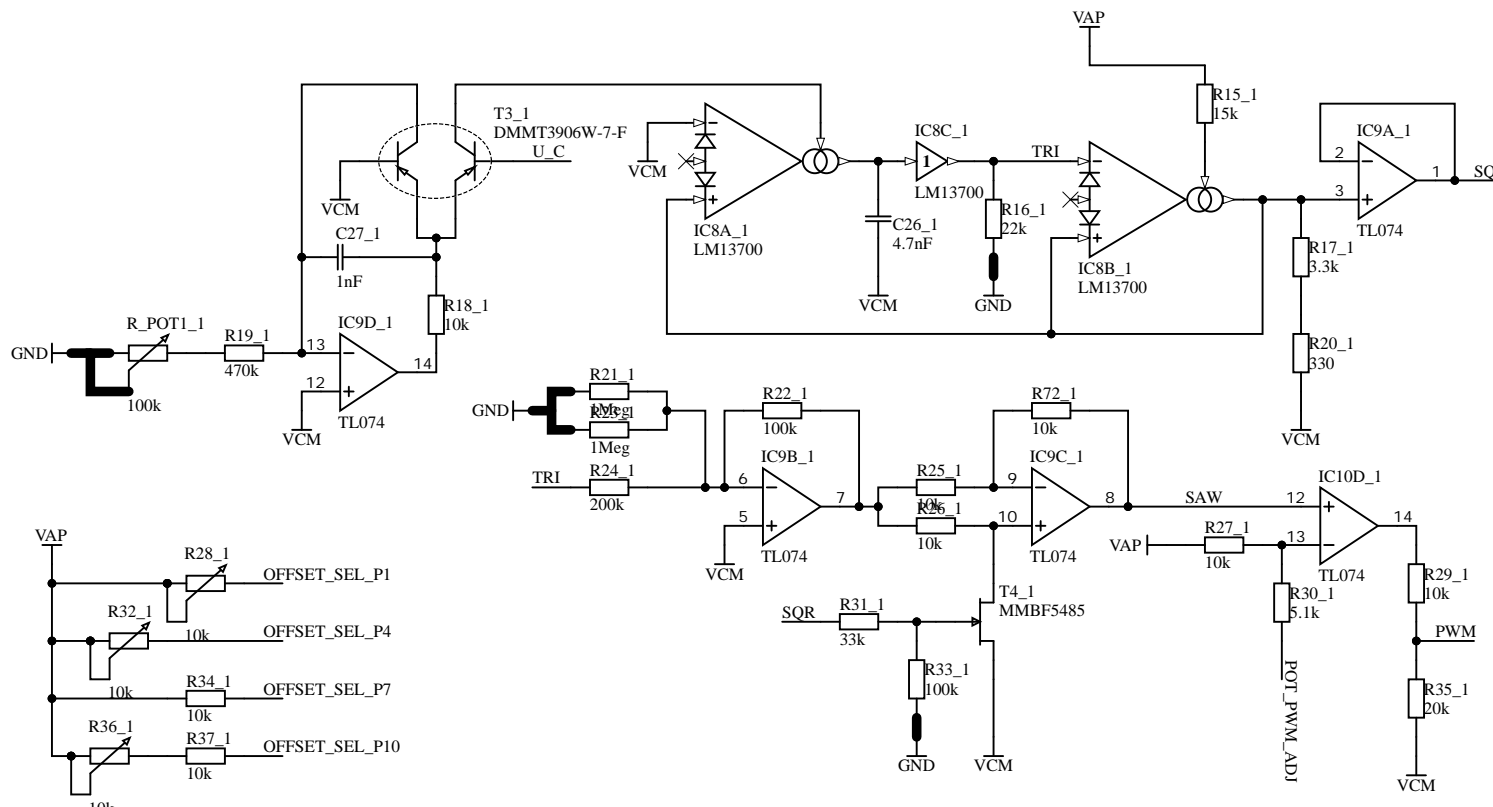
2

3

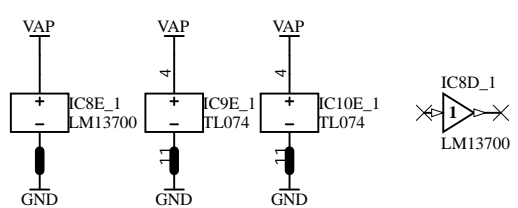
4


5

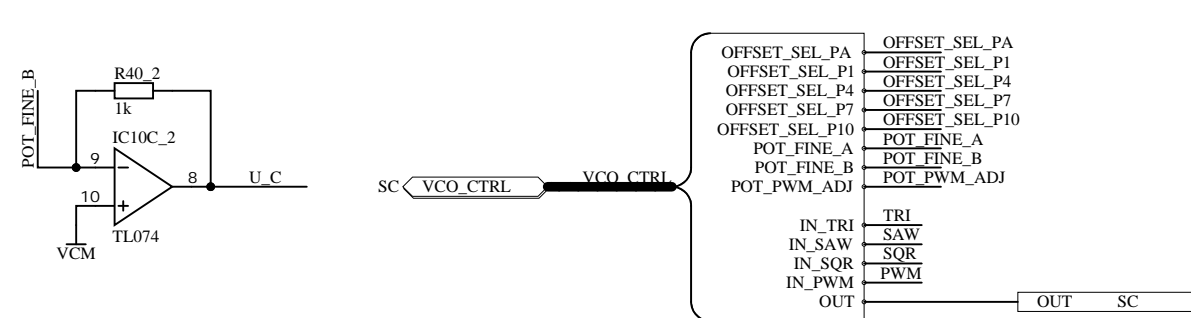
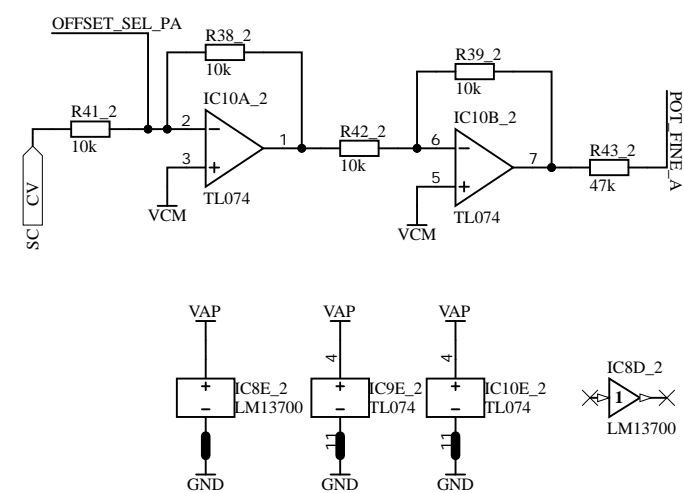
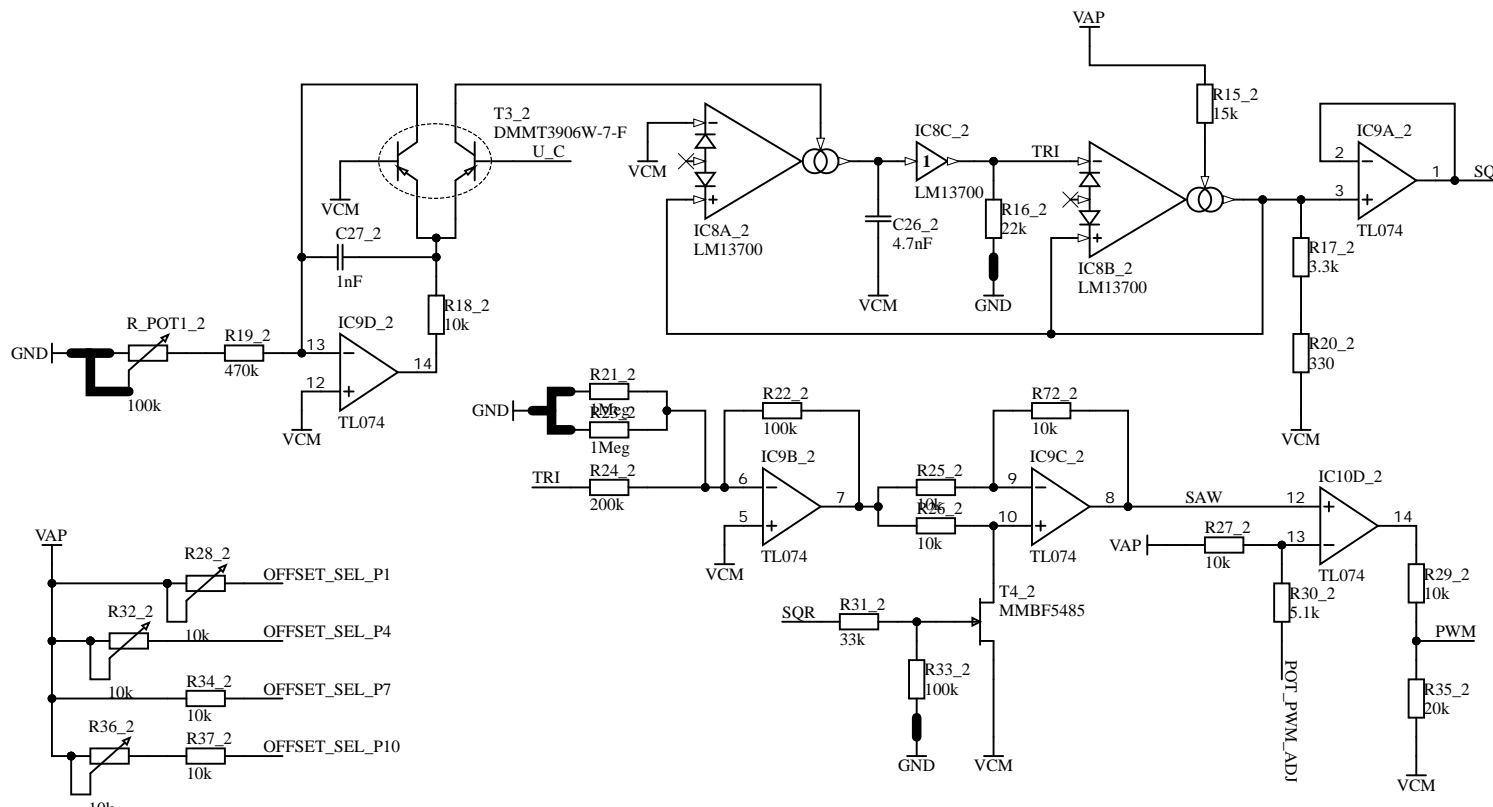
6



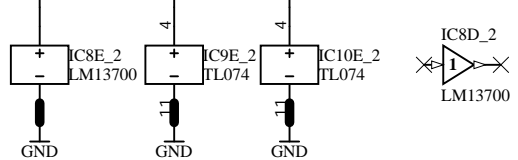
- OFFSET_SEL_PA
- OFFSET_SEL_P1
- OFFSET_SEL_P4
- OFFSET_SEL_P7
- OFFSET_SEL_P10
- POT_FINE_A
- POT_FINE_B
- POT_PWM_ADJ



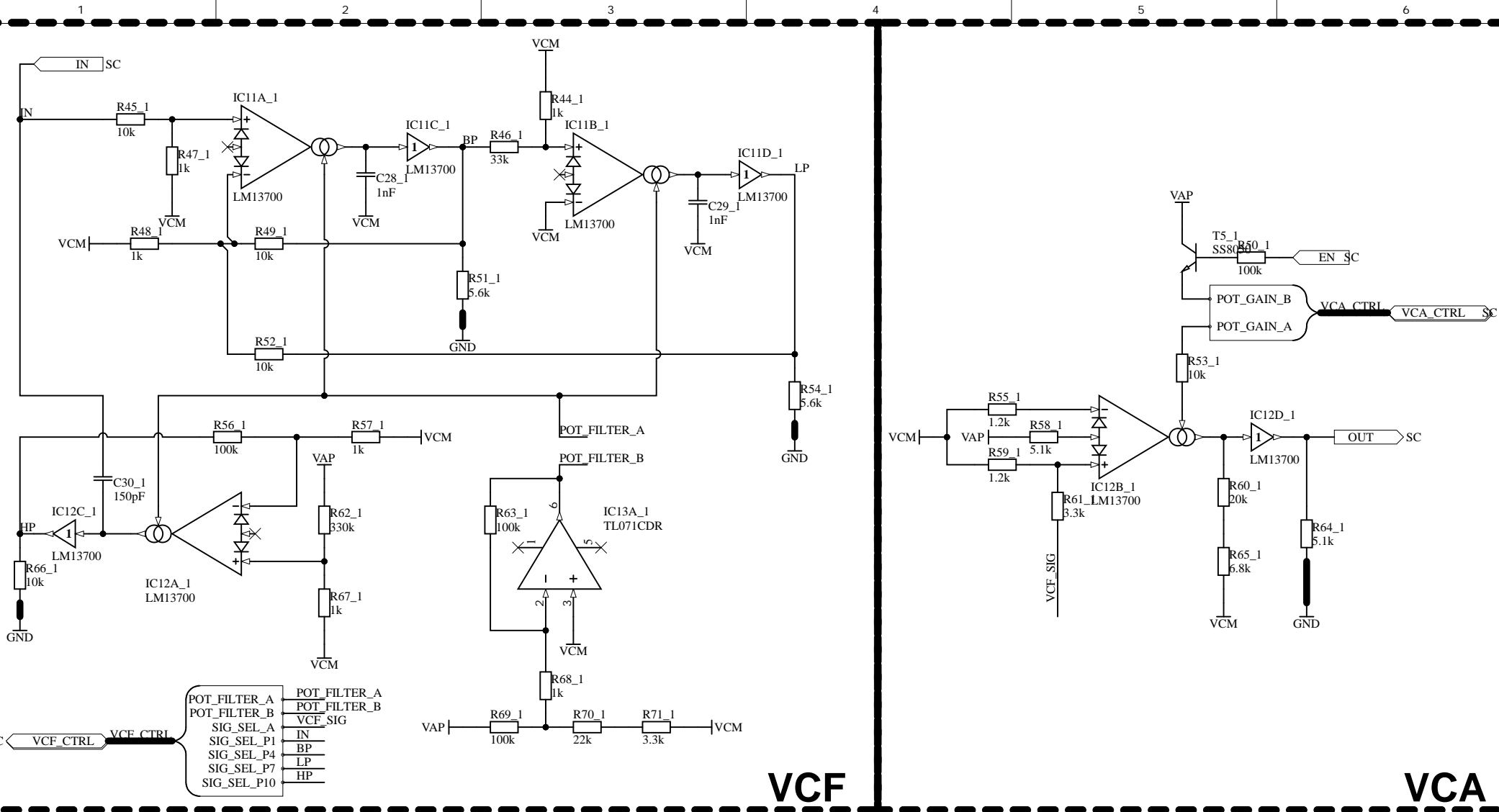
SCHEMATIC TITLE Voltage-controlled oscillator	PROJECT TITLE Audio synth	FILE NAME VCO.SchDoc	TYPE:	PROD.
GIT HASH (SHORT)	SHEET NUMBER Sheet 6 of 9	 HTL Anichstraße <small>CCA - COMPETENCE CENTRE</small>	CREATED:	11.12.2025
AUTHOR Wendelin Waldhart	CHECKED BY Erik Tóth		EDITED:	01.01.2026
			REV.:	0.2
			CHECKED:	30.12.2025
			DOC-NR:	WATO-6



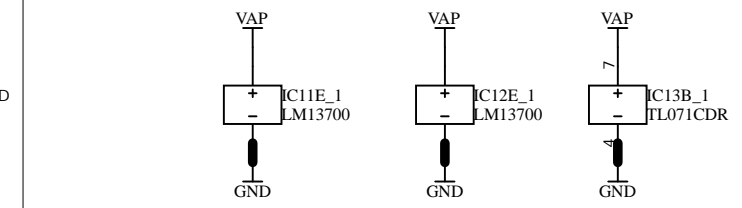
OFFSET_SEL_PA	OFFSET_SEL_PA
OFFSET_SEL_P1	OFFSET_SEL_P1
OFFSET_SEL_P4	OFFSET_SEL_P4
OFFSET_SEL_P7	OFFSET_SEL_P7
OFFSET_SEL_P10	OFFSET_SEL_P10
POT_FINE_A	POT_FINE_A
POT_FINE_B	POT_FINE_B
POT_PWM_ADJ	POT_PWM_ADJ
IN_TRI	TRI
IN_SAW	SAW
IN_SQR	SQR
IN_PWM	PWM
OUT	OUT SC



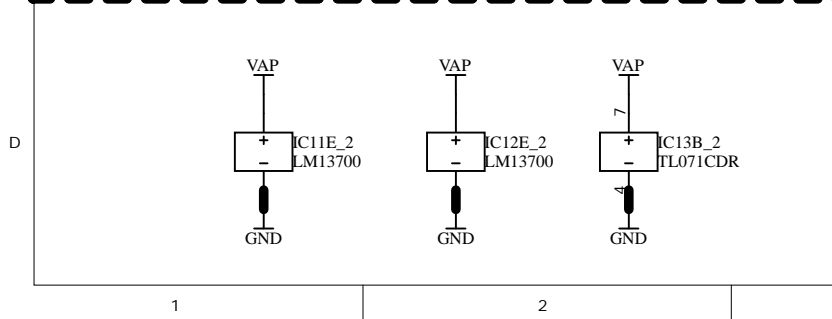
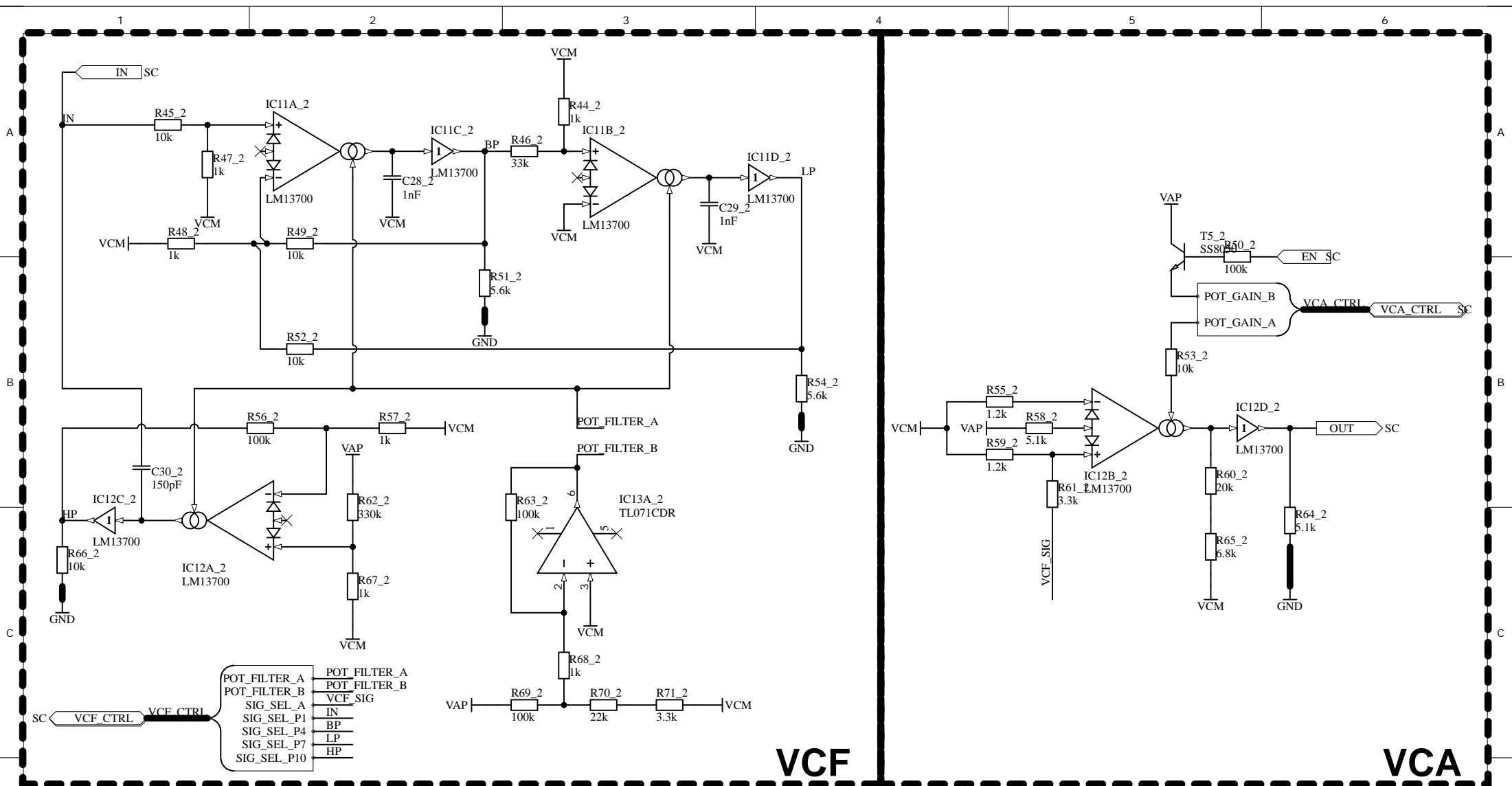
SCHEMATIC TITLE	PROJECT TITLE	FILE NAME	TYPE:	PROD.
Voltage-controlled oscillator	Audio synth	VCO.SchDoc	CREATED:	11.12.2025
GIT HASH (SHORT)	SHEET NUMBER	 CCA - COMPETENCE CENTRE HTL Anichstraße	EDITED:	01.01.2026
AUTHOR	CHECKED BY		REV.:	0.2
Wendelin Waldhart	Erik Tóth	CHECKED:	30.12.2025	DOC-NR:
			WATO-6	



- POT_FILTER_A
- POT_FILTER_B
- VCF_CTRL
- SIG_SEL_A
- SIG_SEL_P1
- SIG_SEL_P4
- SIG_SEL_P7
- SIG_SEL_P10



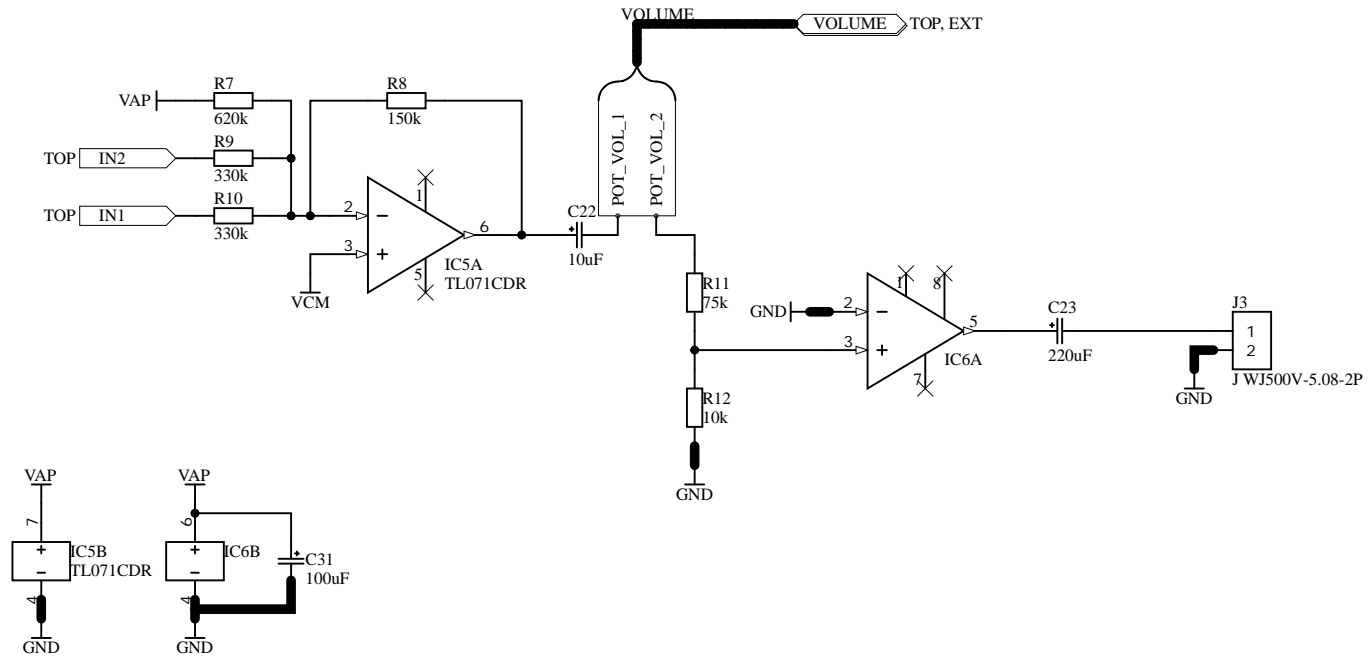
SCHEMATIC TITLE		PROJECT TITLE		FILE NAME		TYPE:	PROD.
Voltage-controlled filter/amp		Audio synth		VCF_A.SchDoc		CREATED:	23.12.2025
GIT HASH (SHORT)		SHEET NUMBER				EDITED:	01.01.2026
f81b36c0		Sheet 7 of 9				REV.:	0.5
AUTHOR		CHECKED BY		HTL Anichstraße		CHECKED:	31.12.2025
Wendelin Waldhart		Erik Tóth				DOC-NR:	WATO-7




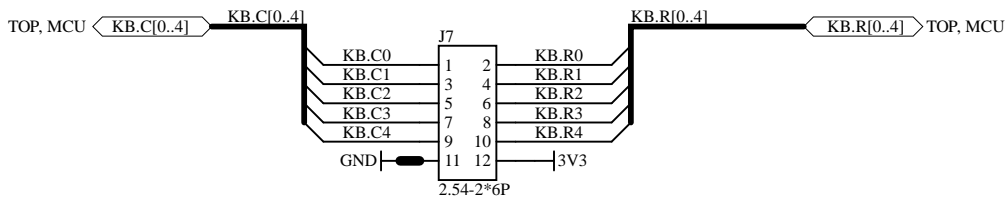
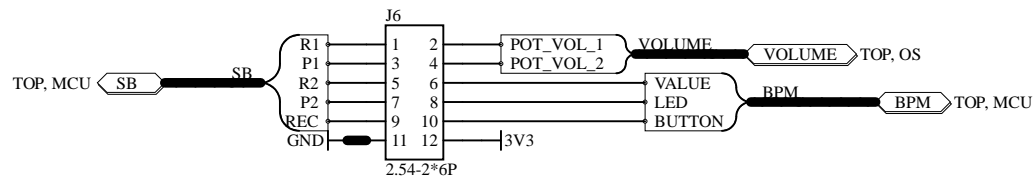
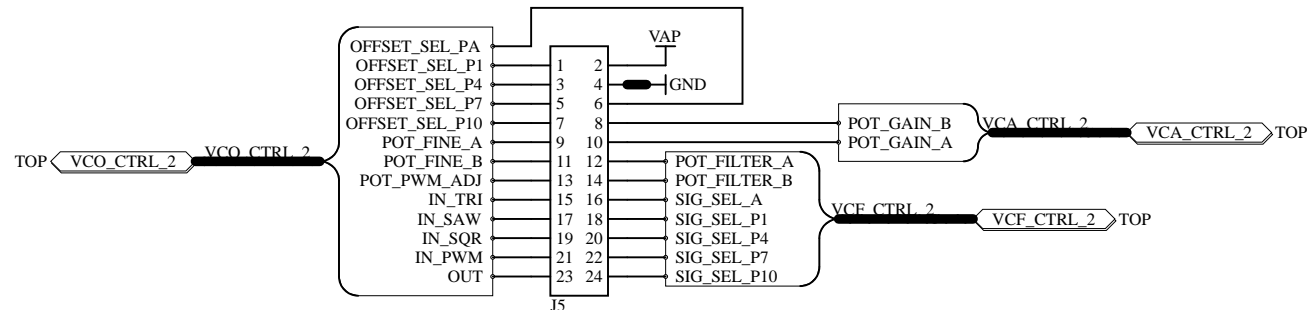
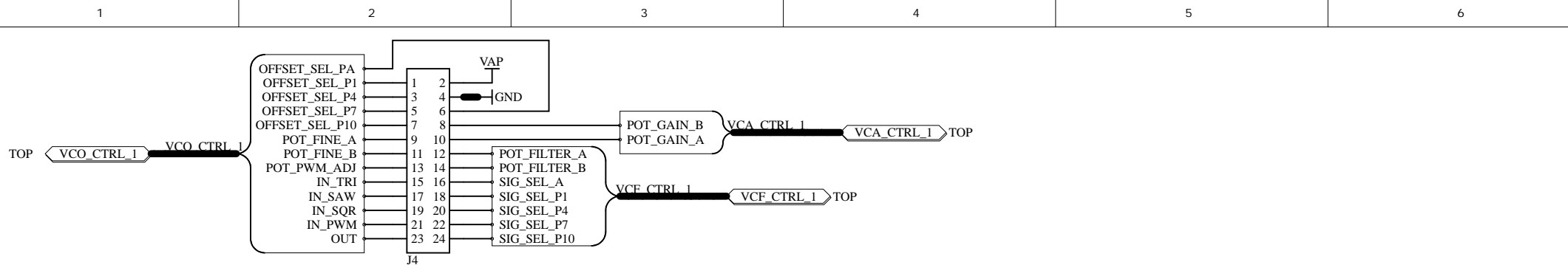
SCHEMATIC TITLE	PROJECT TITLE	FILE NAME	TYPE:	PROD.
Voltage-controlled filter/amp	Audio synth	VCF_A.SchDoc	CREATED:	23.12.2025
GIT HASH (SHORT)	SHEET NUMBER		EDITED:	01.01.2026
f81b36c0	Sheet 7 of 9		REV.:	0.5
AUTHOR	CHECKED BY		CHECKED:	31.12.2025
Wendelin Waldhart	Erik Tóth		DOC-NR:	WATO-7

CCA - COMPETENCE CENTRE

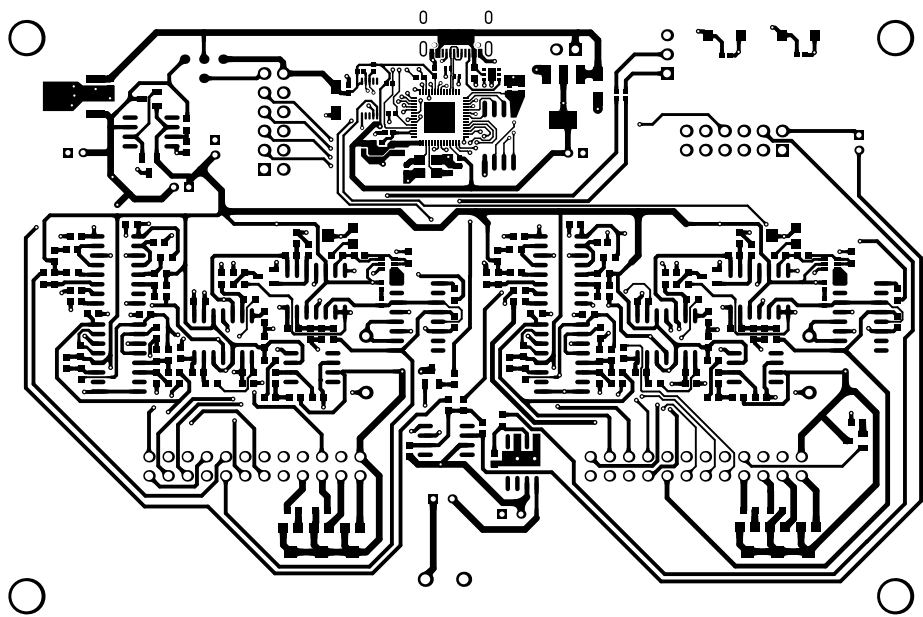
HTL Anichstraße

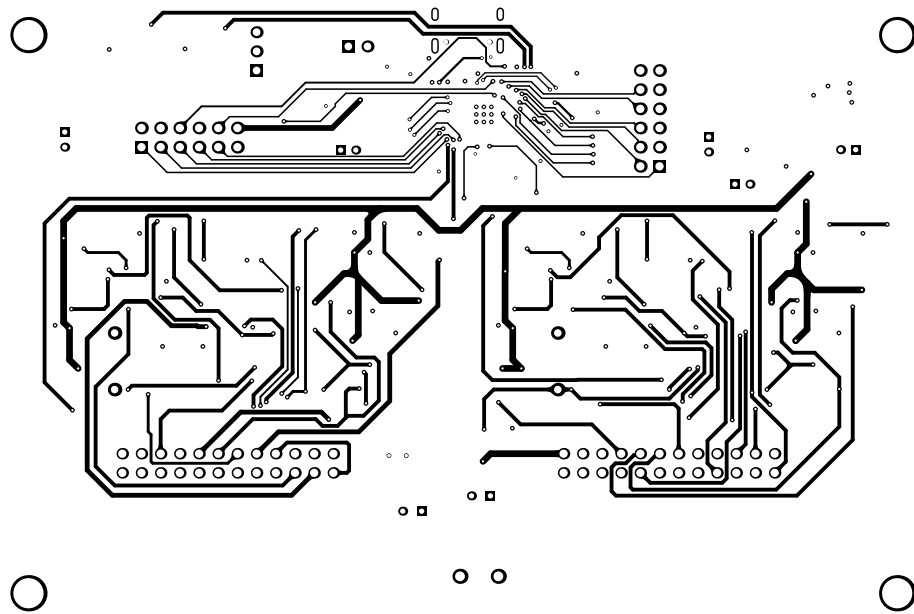


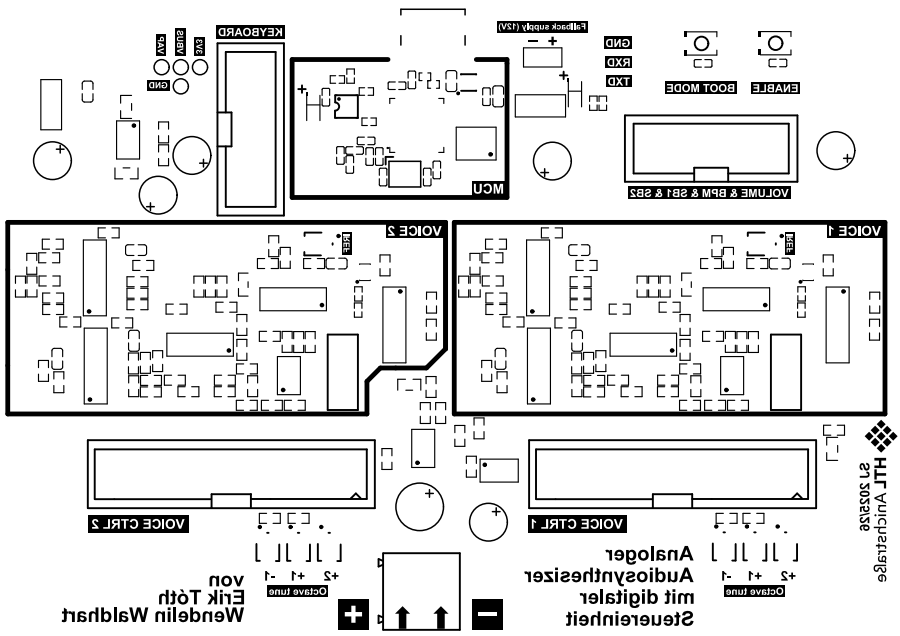
SCHEMATIC TITLE	PROJECT TITLE	FILE NAME	TYPE:	PROD.
Output stage	Audio synth	OS.SchDoc	CREATED:	10.12.2025
GIT HASH (SHORT)	SHEET NUMBER	 CCA - COMPETENCE CENTRE HTL Anichstraße	EDITED:	01.01.2026
AUTHOR	CHECKED BY		REV.:	0.1
Wendelin Waldhart	Erik Tóth		CHECKED:	30.12.2025
			DOC-NR:	WATO-8

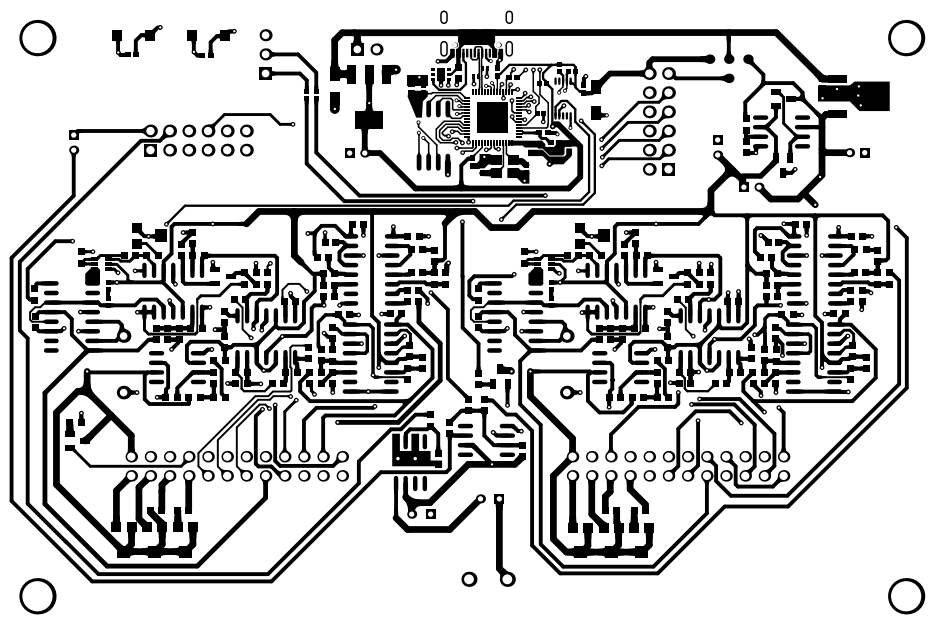


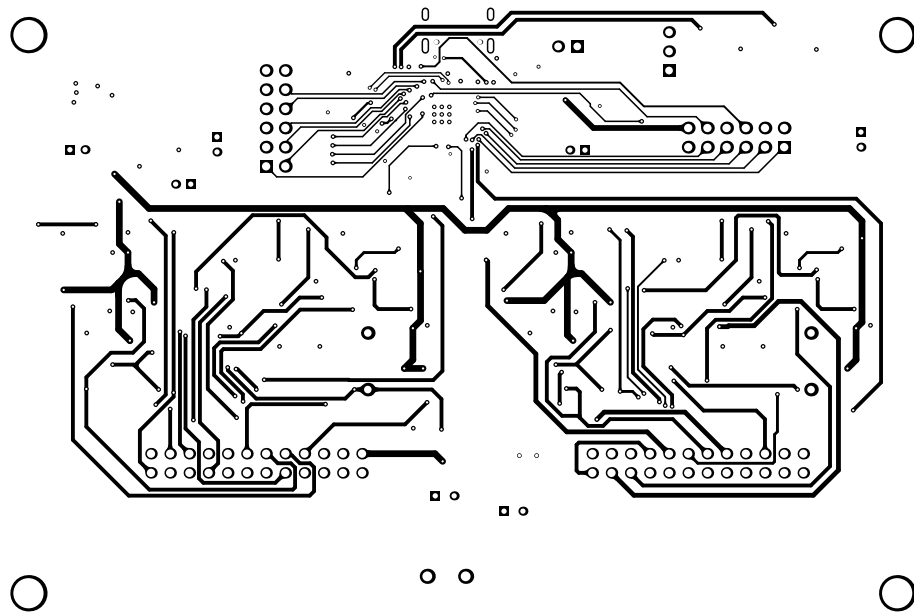
SCHEMATIC TITLE		PROJECT TITLE		FILE NAME		TYPE:	PROD.
External		Audio synth		EXT.SchDoc		CREATED:	11.12.2025
GIT HASH (SHORT)		SHEET NUMBER		 HTL Anichstraße <small>CCA - COMPETENCE CENTRE</small>		EDITED:	01.01.2026
AUTHOR		CHECKED BY				REV.:	0.5
Erik Tóth		Wendelin Waldhart				CHECKED:	30.12.2025
						DOC-NR:	WATO-9

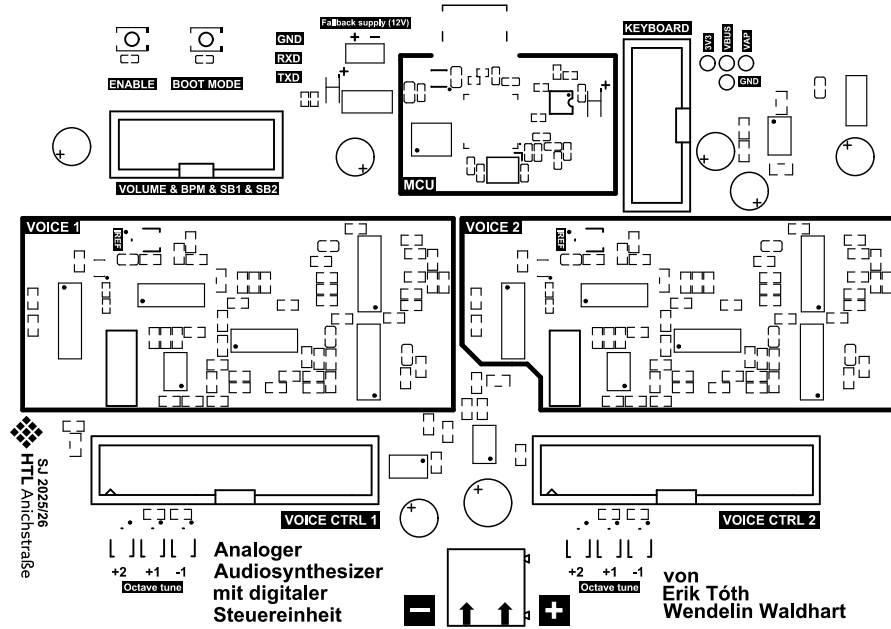







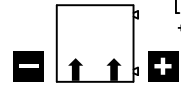




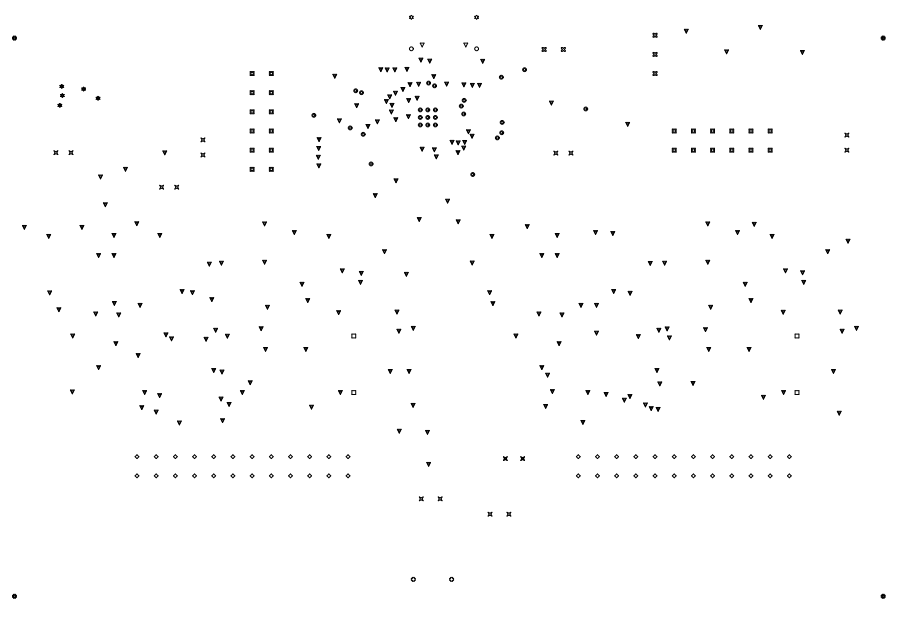



 SJ 2025/26
 HTL Anichstraße

+2 +1 -1
 Octave tune
**Analoger
 Audiosynthesizer
 mit digitaler
 Steuereinheit**



+2 +1 -1
 Octave tune
 von
**Erik Tóth
 Wendelin Waldhart**



Code	Material	Unit	Quantity	Description
01	0000	0000	0000	0000
02	0000	0000	0000	0000
03	0000	0000	0000	0000
04	0000	0000	0000	0000
05	0000	0000	0000	0000
06	0000	0000	0000	0000
07	0000	0000	0000	0000
08	0000	0000	0000	0000
09	0000	0000	0000	0000
10	0000	0000	0000	0000
11	0000	0000	0000	0000
12	0000	0000	0000	0000
13	0000	0000	0000	0000
14	0000	0000	0000	0000
15	0000	0000	0000	0000
16	0000	0000	0000	0000
17	0000	0000	0000	0000
18	0000	0000	0000	0000
19	0000	0000	0000	0000
20	0000	0000	0000	0000
21	0000	0000	0000	0000
22	0000	0000	0000	0000
23	0000	0000	0000	0000
24	0000	0000	0000	0000
25	0000	0000	0000	0000
26	0000	0000	0000	0000
27	0000	0000	0000	0000
28	0000	0000	0000	0000
29	0000	0000	0000	0000
30	0000	0000	0000	0000
31	0000	0000	0000	0000
32	0000	0000	0000	0000
33	0000	0000	0000	0000
34	0000	0000	0000	0000
35	0000	0000	0000	0000
36	0000	0000	0000	0000
37	0000	0000	0000	0000
38	0000	0000	0000	0000
39	0000	0000	0000	0000
40	0000	0000	0000	0000
41	0000	0000	0000	0000
42	0000	0000	0000	0000
43	0000	0000	0000	0000
44	0000	0000	0000	0000
45	0000	0000	0000	0000
46	0000	0000	0000	0000
47	0000	0000	0000	0000
48	0000	0000	0000	0000
49	0000	0000	0000	0000
50	0000	0000	0000	0000
51	0000	0000	0000	0000
52	0000	0000	0000	0000
53	0000	0000	0000	0000
54	0000	0000	0000	0000
55	0000	0000	0000	0000
56	0000	0000	0000	0000
57	0000	0000	0000	0000
58	0000	0000	0000	0000
59	0000	0000	0000	0000
60	0000	0000	0000	0000
61	0000	0000	0000	0000
62	0000	0000	0000	0000
63	0000	0000	0000	0000
64	0000	0000	0000	0000
65	0000	0000	0000	0000
66	0000	0000	0000	0000
67	0000	0000	0000	0000
68	0000	0000	0000	0000
69	0000	0000	0000	0000
70	0000	0000	0000	0000
71	0000	0000	0000	0000
72	0000	0000	0000	0000
73	0000	0000	0000	0000
74	0000	0000	0000	0000
75	0000	0000	0000	0000
76	0000	0000	0000	0000
77	0000	0000	0000	0000
78	0000	0000	0000	0000
79	0000	0000	0000	0000
80	0000	0000	0000	0000
81	0000	0000	0000	0000
82	0000	0000	0000	0000
83	0000	0000	0000	0000
84	0000	0000	0000	0000
85	0000	0000	0000	0000
86	0000	0000	0000	0000
87	0000	0000	0000	0000
88	0000	0000	0000	0000
89	0000	0000	0000	0000
90	0000	0000	0000	0000
91	0000	0000	0000	0000
92	0000	0000	0000	0000
93	0000	0000	0000	0000
94	0000	0000	0000	0000
95	0000	0000	0000	0000
96	0000	0000	0000	0000
97	0000	0000	0000	0000
98	0000	0000	0000	0000
99	0000	0000	0000	0000
100	0000	0000	0000	0000